

# BlueIO832-Mini

Bluetooth® 5 Apps Configurable I/O Bridge



## KEY FEATURES

### Wireless Serial Interface Bridge

- ☑ UART
- ☑ SPI
- ☑ I2C

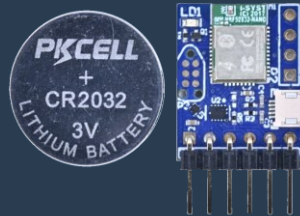
### 4 Configurable GPIO Pins

- ☑ Pin direction
- ☑ Pin sensing interrupt
- ☑ Pull-up/pull-down resistor

### Analog-to-Digital Converters

- ☑ 12-bit resolution
- ☑ 1 differential channel or 3 single-ended channels
- ☑ 200 kbps

### Tiny Size

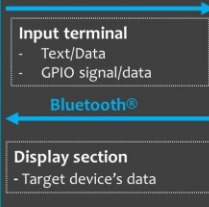


## BlueIO ECOSYSTEM

### I-SYST BlueIO System

Serial comm. via BLE  
GPIO config. via BLE

#### BlueIO mobile apps



#### BlueIO832-Mini

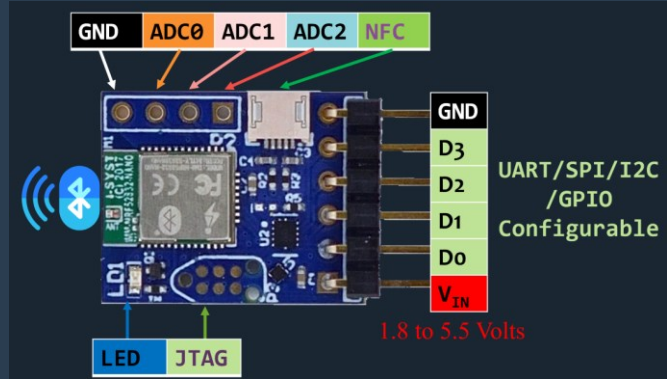


Serial comm. protocols  
UART, I2C, SPI



GPIO  
interrupt, on/off, etc.

## HARDWARE



Nordic nRF52832 Bluetooth® 5  
64MHz ARM M4F, 512KB Flash, 64KB RAM

## FIRMWARE DEVELOPMENT

**I/O Sonata** - Opensource Lib to Simplify BLE Firmware Development

**Eclipse** - Free IDE

**ARM® GCC Compiler**

## FREE MOBILE APPS



Smartphone

BlueIOTerm  
BlueIOSpi  
BlueIOI2c  
BlueIOAdc  
BlueIOWizard



Tablet

